

CL1005 Series

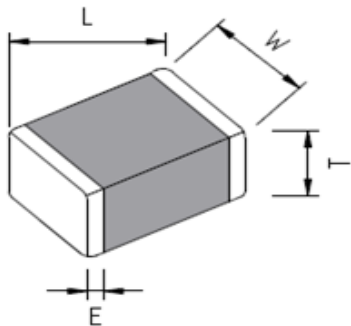
Features :

- Made of advanced ceramics and low resistance silver conductors provides excellent Q and SRF characteristics.
- Support operating frequency up to 10GHz.
- Provide high quality factor.
- Monolithic structure for high reliability.
- Excellent solderability and high heat resistance for either flow or reflow soldering.
- Operating temperature range of -55°C to +125°C
- Storage temperature range of -40°C to +85°C

Applications :

- RF circuit and module.
- Various automotive electronics.
- Mother board, tablet PC, laptop, desktop computer and peripheral equipment.
- Digital communication equipment.
- Various electronic equipment.

Shapes And Dimensions : (Unit :mm)



L	W	T	E
1.0 ± 0.05	0.5 ± 0.05	0.5 ± 0.05	0.1~0.3

Part Number Code :

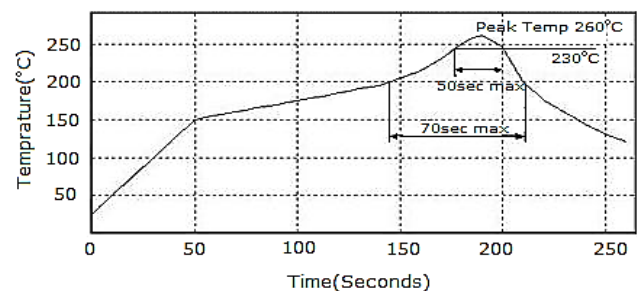
CL 1005 1N5 K -E

① ② ③ ④ ⑤

- 1 : Product Series
- 2 : Dimensions L x W
- 3 : Inductance Value
- 4 : Inductance Tolerance
- 5 : Lead-Free

Reflow Profile :

Peak Temp : 260°C
Max time above 230°C 50sec
Max time above 200°C 70sec



CL1005 Series

Part No.	Inductance (nH) Tolerance	Q Min.	Test Frequency (MHz)	SRF (GHz) Min.	DCR (Ω) Max.	Rated Current (mA) Max.
CL1005-1N0S	1.0 \pm 0.3nH	8	100	10.00	0.08	300
CL1005-1N2S	1.2 \pm 0.3nH	8	100	10.00	0.09	300
CL1005-1N5S	1.5 \pm 0.3nH	8	100	6.00	0.10	300
CL1005-1N8S	1.8 \pm 0.3nH	8	100	6.00	0.12	300
CL1005-2N0S	2.0 \pm 0.3nH	8	100	6.00	0.12	300
CL1005-2N2S	2.2 \pm 0.3nH	8	100	6.00	0.13	300
CL1005-2N4S	2.4 \pm 0.3nH	8	100	6.00	0.13	300
CL1005-2N7S	2.7 \pm 0.3nH	8	100	6.00	0.13	300
CL1005-3N0S	3.0 \pm 0.3nH	8	100	6.00	0.16	300
CL1005-3N3S	3.3 \pm 0.3nH	8	100	6.00	0.16	300
CL1005-3N9S	3.9 \pm 0.3nH	8	100	4.00	0.21	300
CL1005-4N7S	4.7 \pm 0.3nH	8	100	4.00	0.21	300
CL1005-5N6S	5.6 \pm 0.3nH	8	100	4.00	0.23	300
CL1005-6N8J	6.8 \pm 5%	8	100	3.90	0.25	300
CL1005-8N2J	8.2 \pm 5%	8	100	3.60	0.28	300
CL1005-10NJ	10 \pm 5%	8	100	3.20	0.31	300
CL1005-12NJ	12 \pm 5%	8	100	2.70	0.40	300
CL1005-15NJ	15 \pm 5%	8	100	2.30	0.46	300
CL1005-18NJ	18 \pm 5%	8	100	2.10	0.55	300
CL1005-22NJ	22 \pm 5%	8	100	1.90	0.60	300
CL1005-27NJ	27 \pm 5%	8	100	1.60	0.70	300
CL1005-33NJ	33 \pm 5%	8	100	1.30	0.80	200
CL1005-39NJ	39 \pm 5%	8	100	1.20	0.90	200
CL1005-47NJ	47 \pm 5%	8	100	1.00	1.00	200
CL1005-56NJ	56 \pm 5%	8	100	0.75	1.00	200
CL1005-68NJ	68 \pm 5%	8	100	0.75	1.20	180
CL1005-82NJ	82 \pm 5%	8	100	0.60	1.30	150
CL1005-100NJ	100 \pm 5%	8	100	0.60	1.50	150
CL1005-120NJ	120 \pm 5%	8	100	0.60	1.60	150